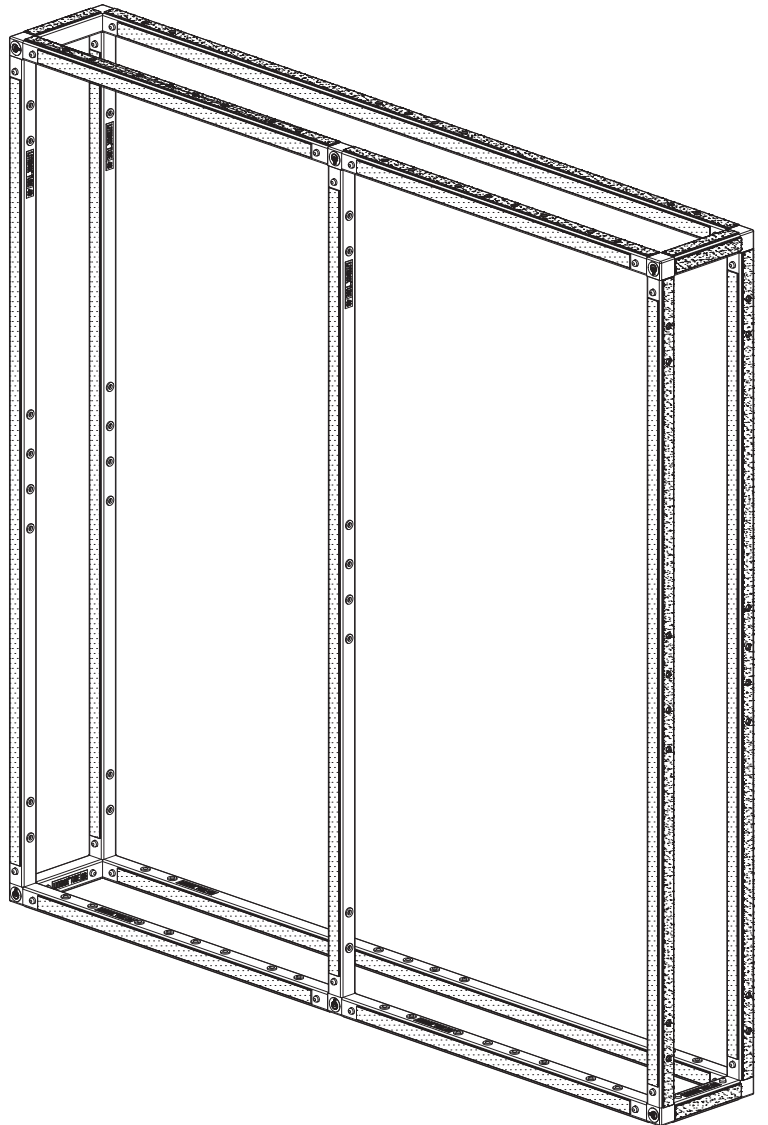
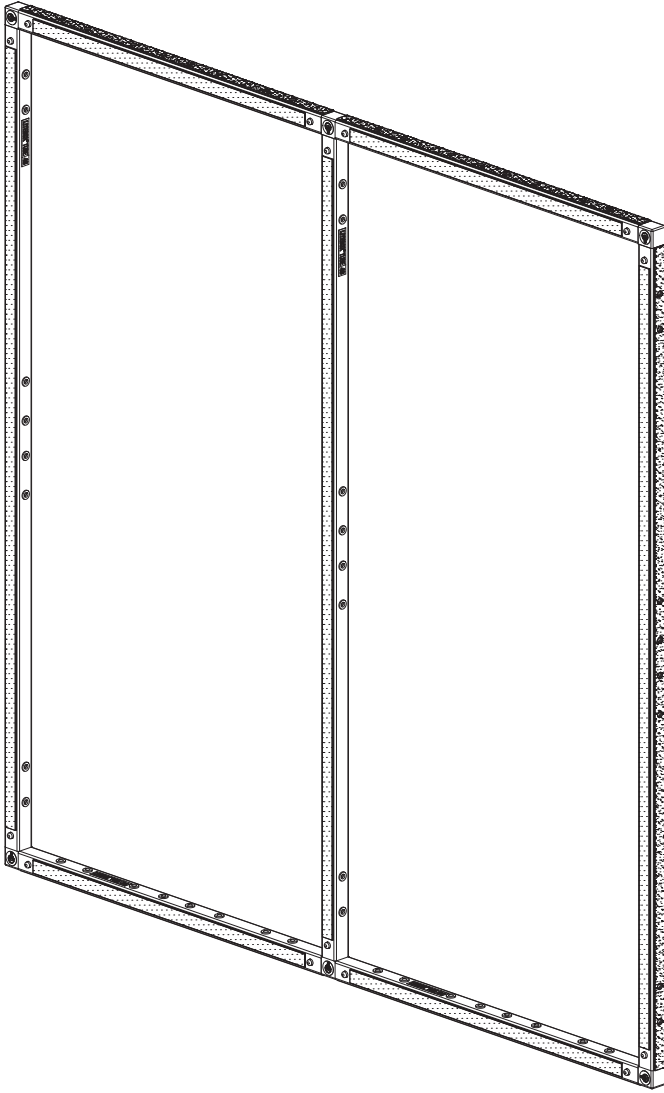




# LITEBOX™ 4X4

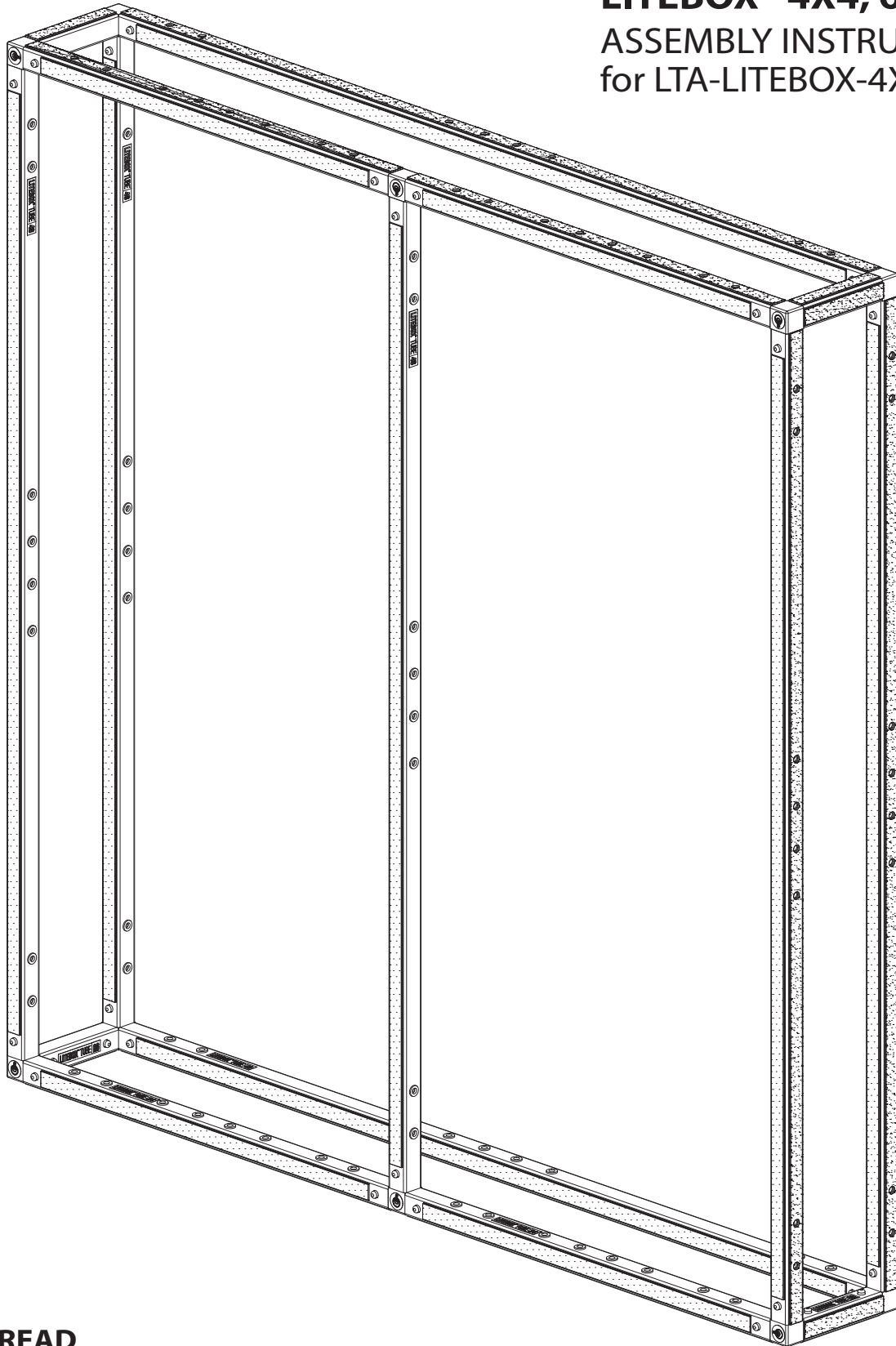
## FRAME ASSEMBLY INSTRUCTIONS

FOR LITEBOX™ 4X4, 1" DEEP AND LITEBOX™ 4X4, 6" DEEP  
CINEMA/TELEVISION LED LIGHTING FRAME SYSTEM



# LITEBOX™ 4X4

LITEBOX™ 4X4, 6" DEEP  
ASSEMBLY INSTRUCTIONS  
for LTA-LITEBOX-4X4-BOX6

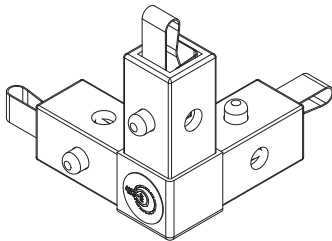


**PLEASE READ  
INSTRUCTIONS  
BEFORE ASSEMBLY**

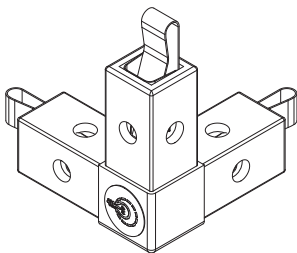
# COMPONENT LIST

## ITEMS NEEDED

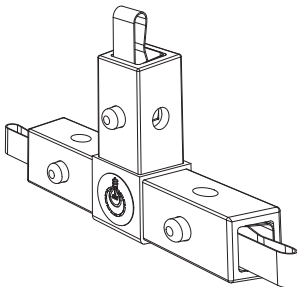
- 280-7 LiteBox Tube - **06** decal (4 required)
- 280-9 LiteBox Tube - **24** decal (4 required)
- 280-10 LiteBox Tube - **48** decal (7 required)
- 280-77 3-Way Corner - **White** decal (4 required)
- 280-78 3-Way Corner - **Yellow** decal (4 required)
- 280-80 T-Coupler Assembly - **White** decal (2 required)



3-Way Corner  
with **White** Decal  
280-77 (Qt(Qty 4)y 4)



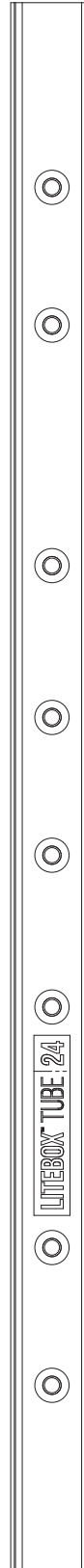
3-Way Corner  
with **Yellow** Decal  
280-78 (Qty 4)



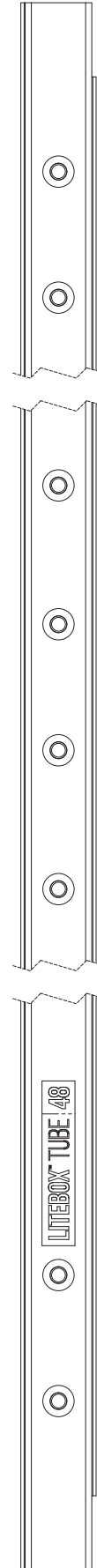
T-Coupler Assembly  
with **White** Decal  
280-80 (Qty 2)



LiteBox Tube  
with **06** Decal  
280-7 (Qty 4)



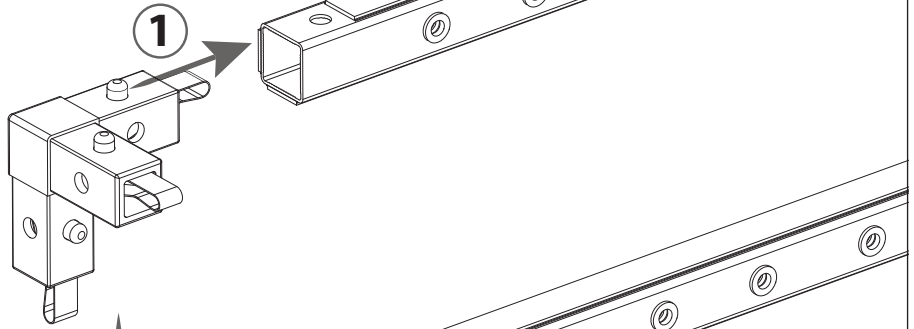
LiteBox Tube  
with **24** Decal  
280-9 (Qty 4)



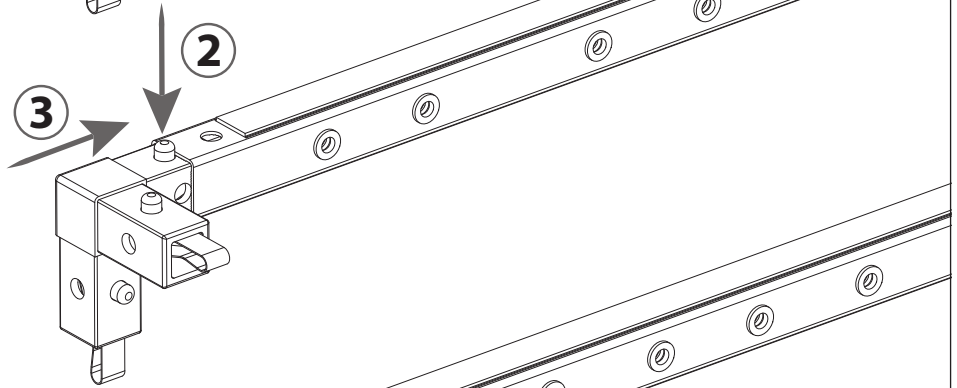
LiteBox Tube  
with **48** Decal  
280-10 (Qty 7)

## OPERATING LITEBOX FITTINGS

**1** Align pin to hole and slide fitting into tube.

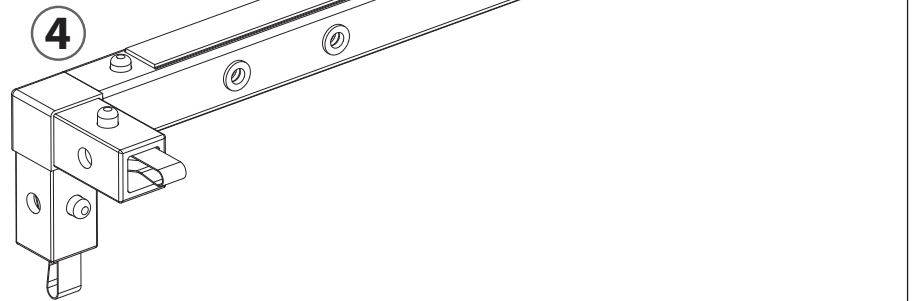


**2** Depress pin.

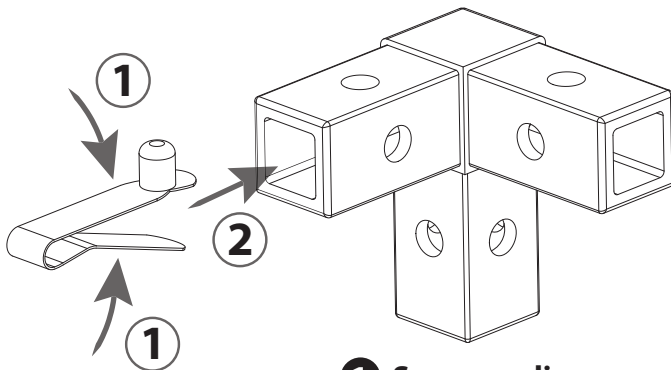


**3** Push in fitting until pin snaps in place.

**4** Fitting fully installed.

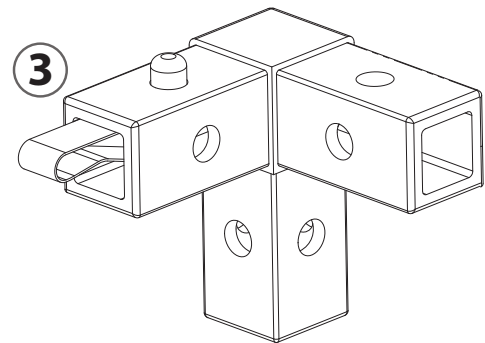


## REPLACING SNAP PINS



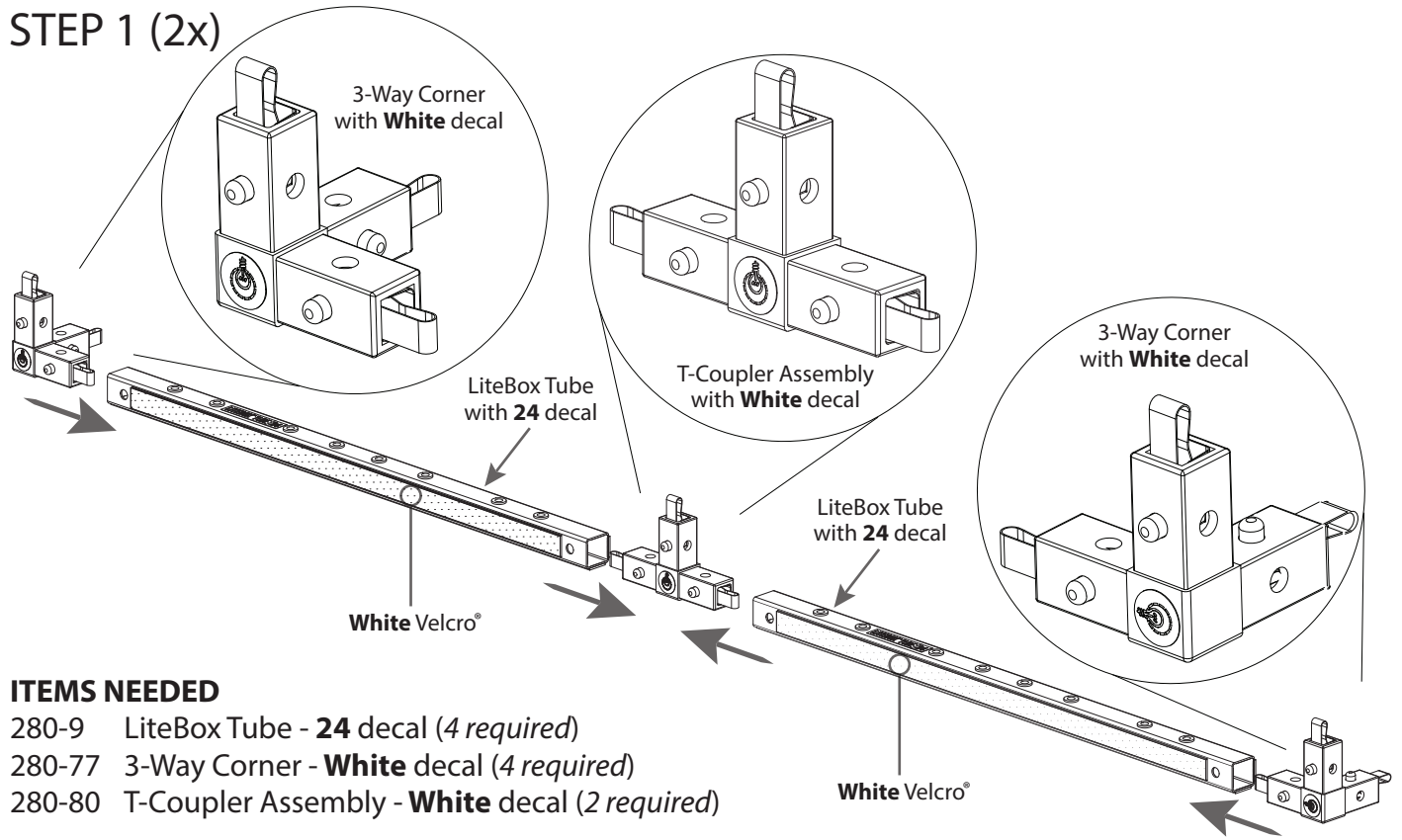
**1** Squeeze clip.

**2** Insert clip.



**3** Clip fully installed.

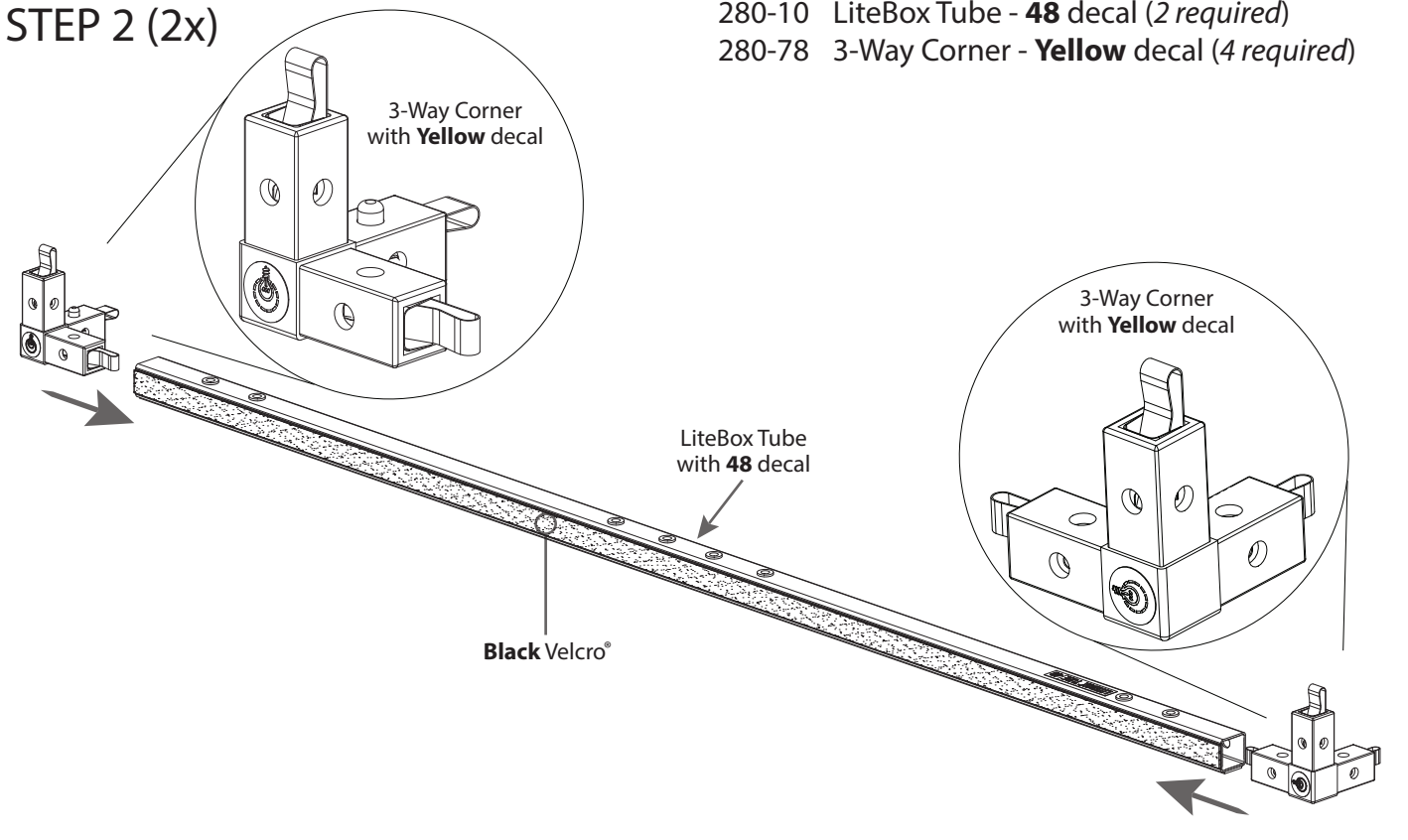
## ASSEMBLY - STEP 1 (2x)



### ITEMS NEEDED

- 280-9 LiteBox Tube - **24** decal (4 required)
- 280-77 3-Way Corner - **White** decal (4 required)
- 280-80 T-Coupler Assembly - **White** decal (2 required)

## ASSEMBLY - STEP 2 (2x)



### ITEMS NEEDED

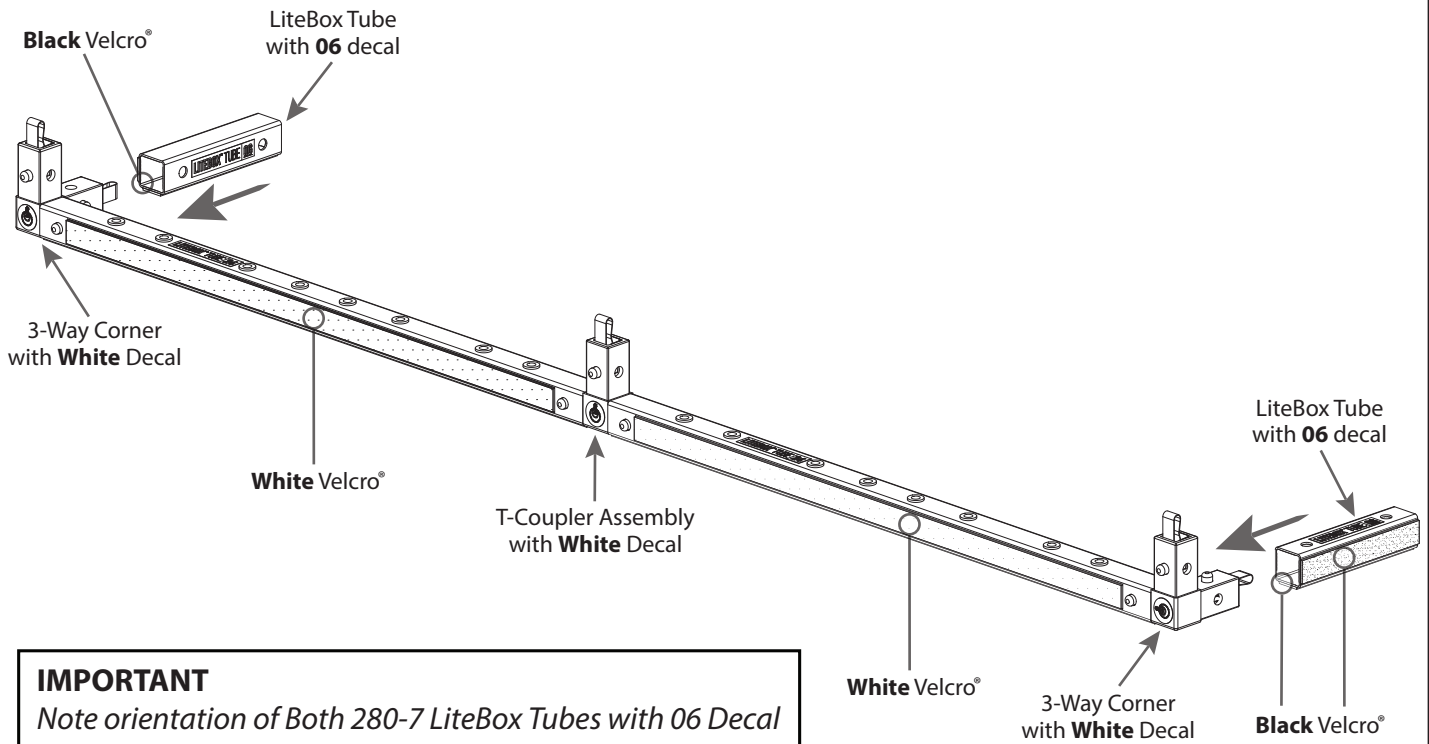
- 280-10 LiteBox Tube - **48** decal (2 required)
- 280-78 3-Way Corner - **Yellow** decal (4 required)

## ASSEMBLY - STEP 3 (2x)

### ITEMS NEEDED

Assembly from Step 1 (2 required)

280-7 LiteBox Tube - **06** decal (4 required)



### IMPORTANT

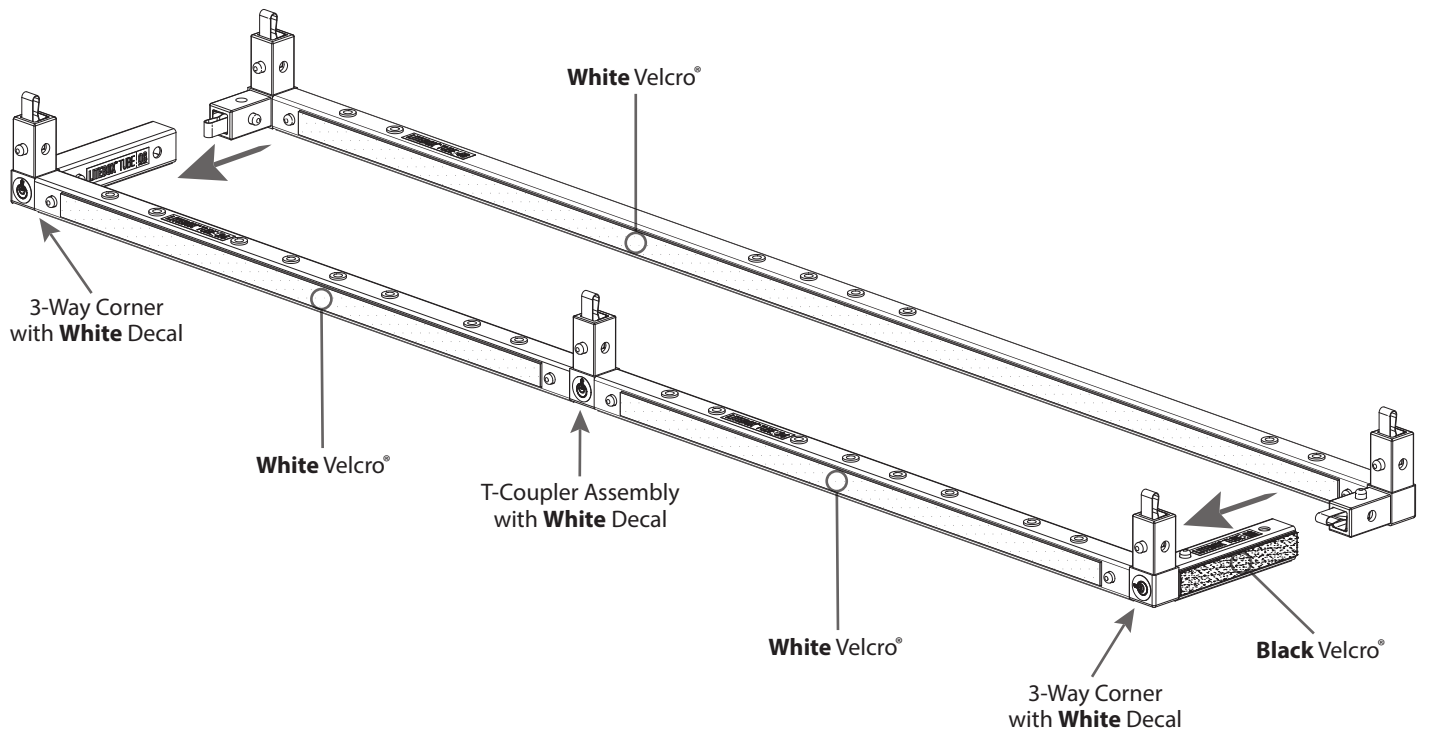
Note orientation of Both 280-7 LiteBox Tubes with 06 Decal

## ASSEMBLY - STEP 4 (2x)

### ITEMS NEEDED

Assembly from Step 2 (2 required)

Assembly from Step 3 (2 required)

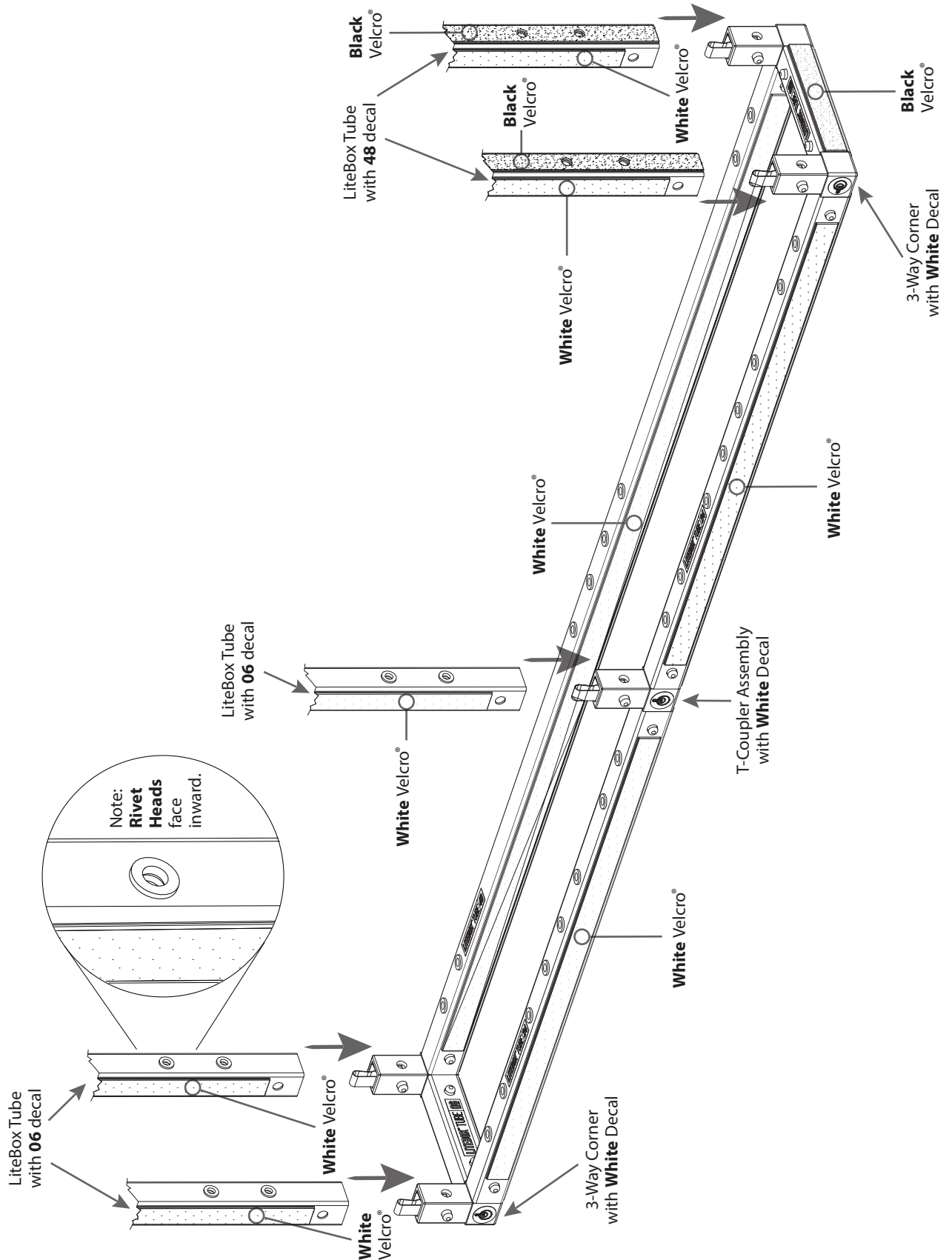


# ASSEMBLY - STEP 5

## ITEMS NEEDED

Assembly from Step 4 (1 required)

280-10 LiteBox Tube - **48** decal (5 required)

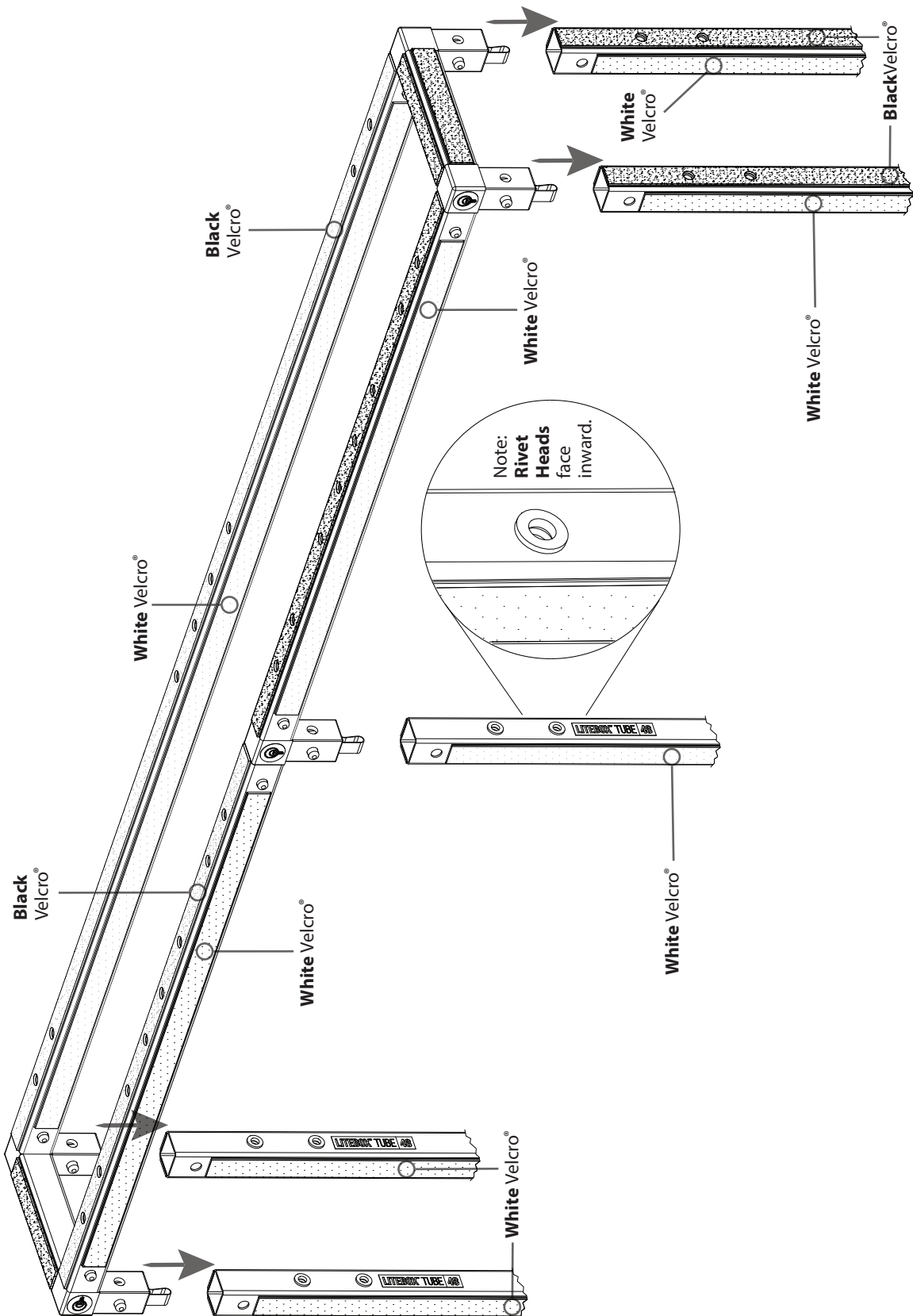


# ASSEMBLY - STEP 6

## ITEMS NEEDED

Assembly from Step 4 (1 required)

Assembly from Step 5 (1 required)



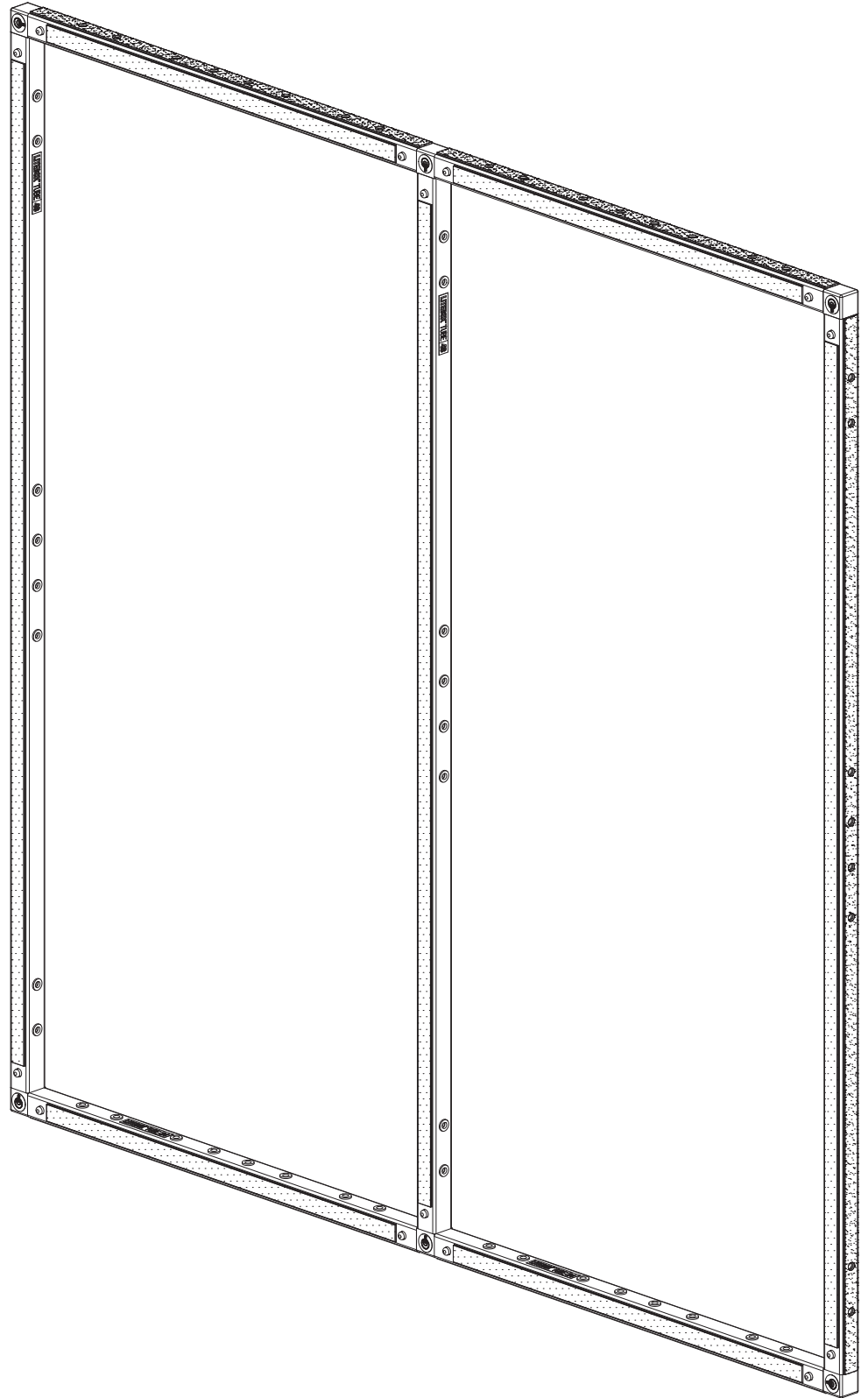




# LITEBOX™ 4X4

LITEBOX™ 4X4, 1" DEEP  
ASSEMBLY INSTRUCTIONS  
for LTA-LITEBOX-4X4-BOX1

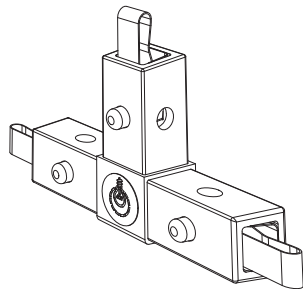
**PLEASE READ  
INSTRUCTIONS  
BEFORE ASSEMBLY**



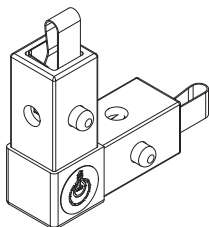
# COMPONENT LIST

## ITEMS NEEDED

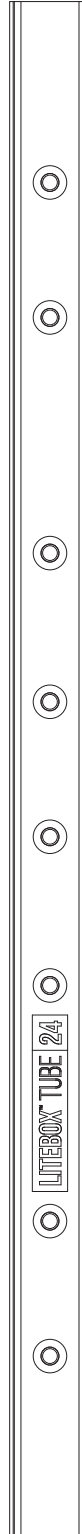
- 280-9 LiteBox Tube - **24** decal (4 required)
- 280-10 LiteBox Tube - **48** decal (3 required)
- 280-79 2-Way Corner - **White** decal (4 required)
- 280-80 T-Coupler Assembly - **White** decal (2 required)



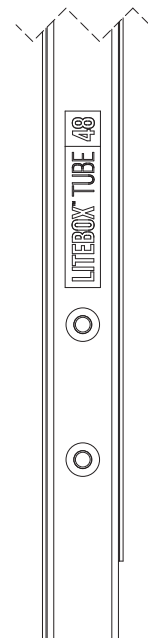
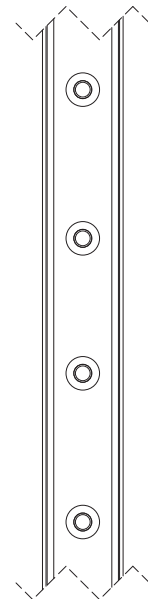
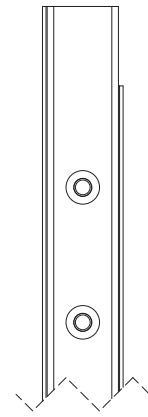
T-Coupler Assembly  
with **White** Decal  
280-80 (Qty 2)



2-Way Corner  
with **White** Decal  
280-79 (Qty 4)



LiteBox Tube  
with **24** Decal  
280-9 (Qty 4)



LiteBox Tube  
with **48** Decal  
280-10 (Qty 3)

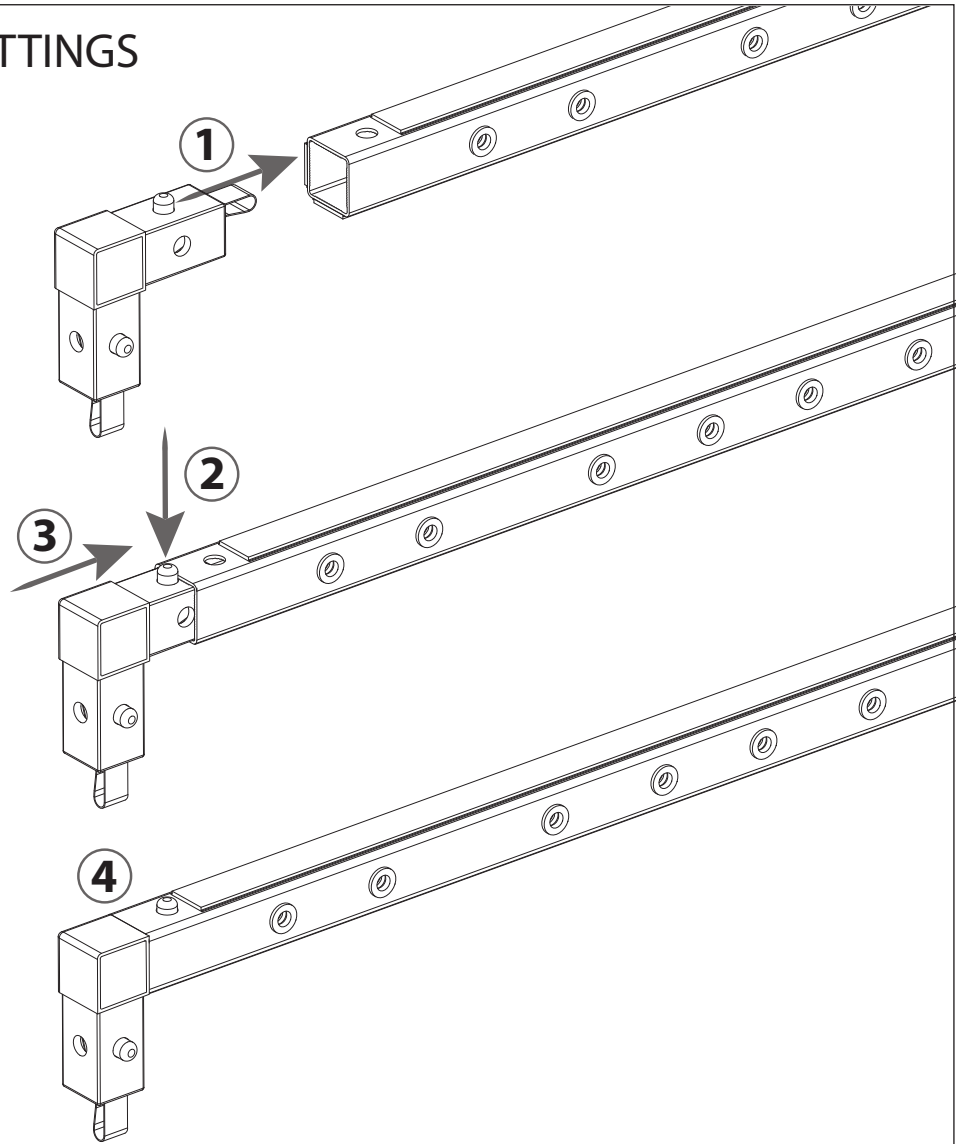
## OPERATING LITEBOX FITTINGS

**1** Align pin to hole and slide fitting into tube.

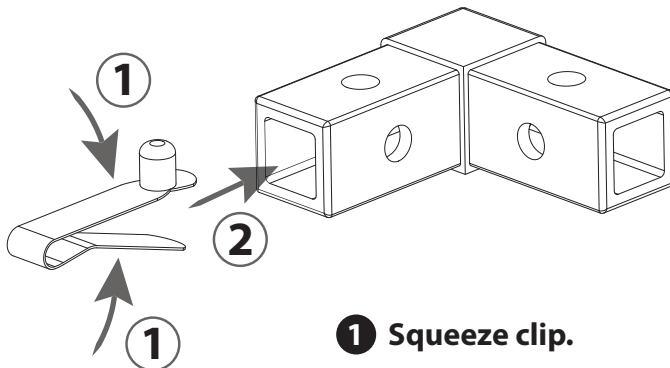
**2** Depress pin.

**3** Push in fitting until pin snaps in place.

**4** Fitting fully installed.

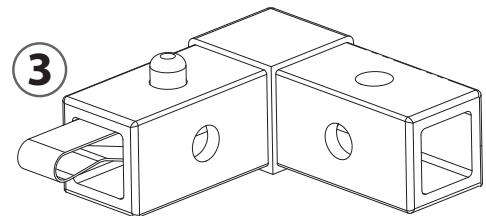


## REPLACING SNAP PINS



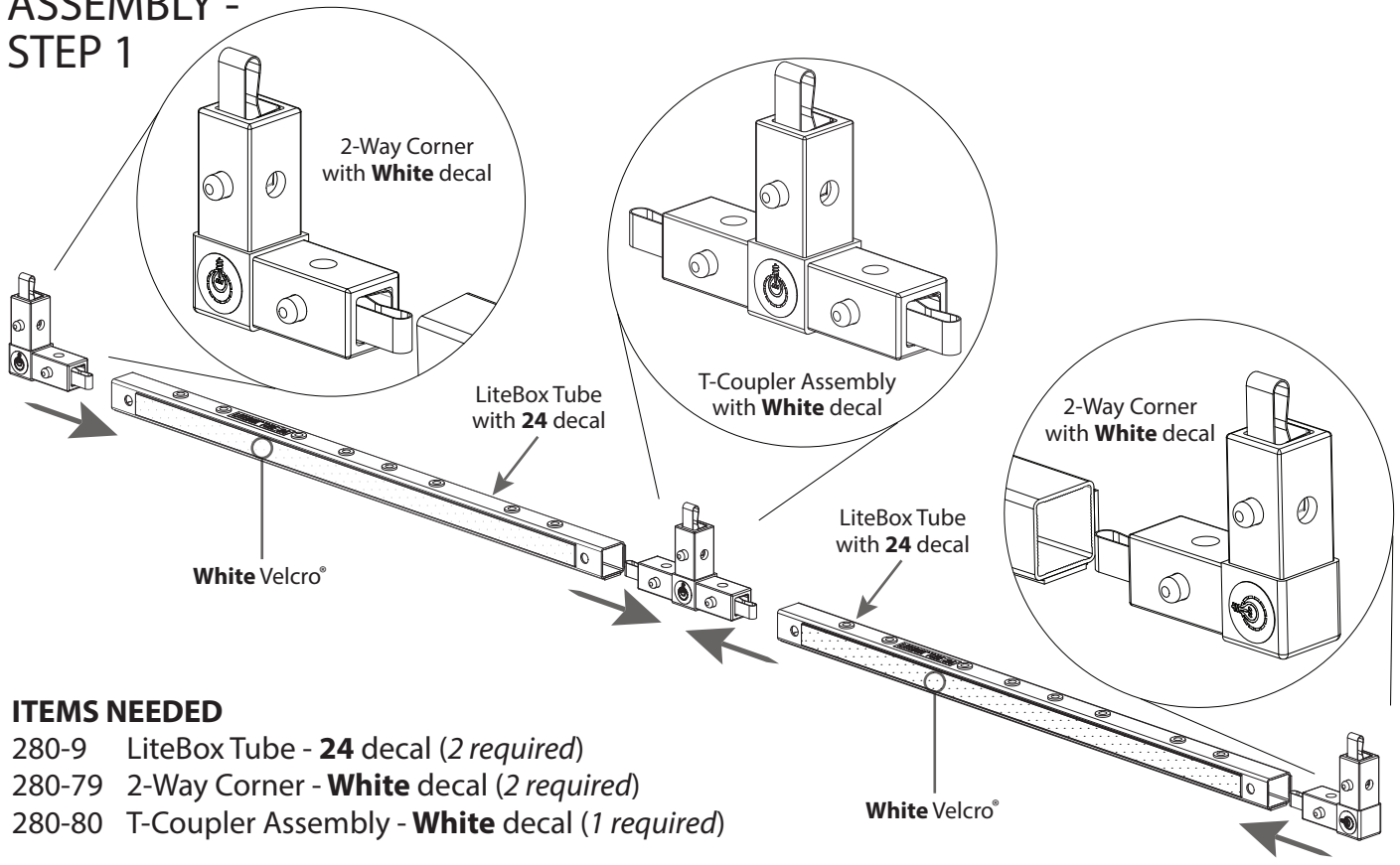
**1** Squeeze clip.

**2** Insert clip.



**3** Clip fully installed.

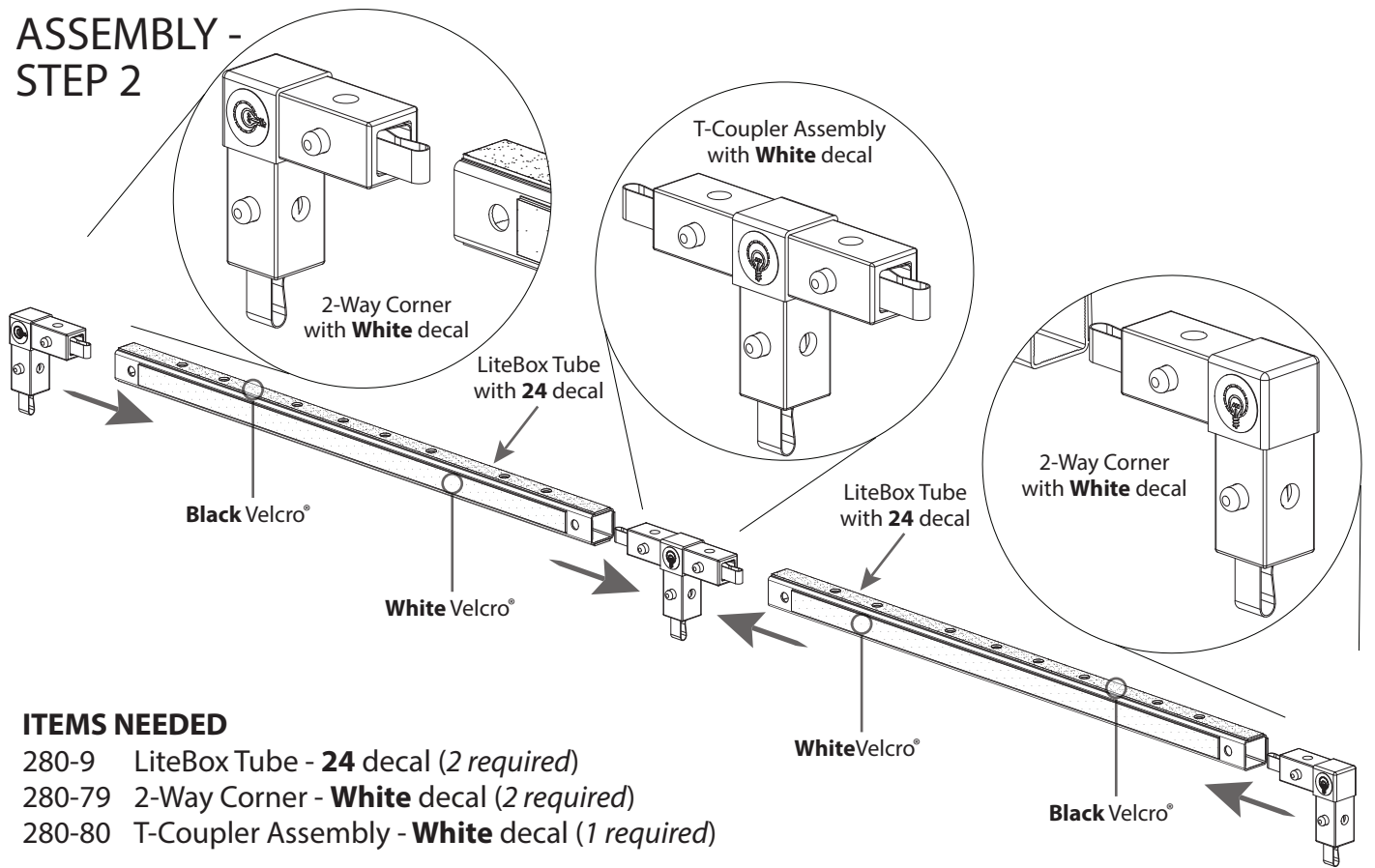
## ASSEMBLY - STEP 1



### ITEMS NEEDED

- 280-9 LiteBox Tube - **24** decal (2 required)
- 280-79 2-Way Corner - **White** decal (2 required)
- 280-80 T-Coupler Assembly - **White** decal (1 required)

## ASSEMBLY - STEP 2



### ITEMS NEEDED

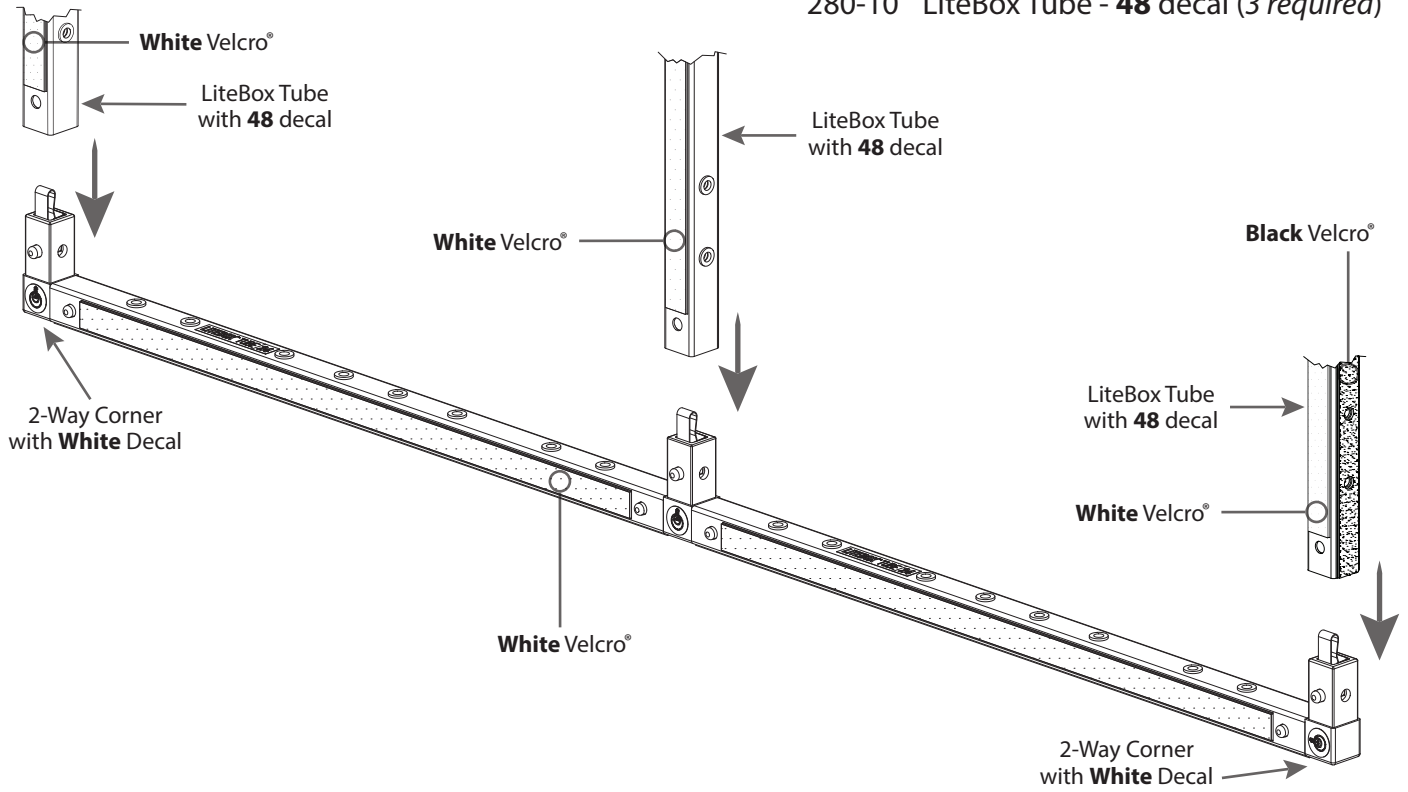
- 280-9 LiteBox Tube - **24** decal (2 required)
- 280-79 2-Way Corner - **White** decal (2 required)
- 280-80 T-Coupler Assembly - **White** decal (1 required)

## ASSEMBLY - STEP 3

### ITEMS NEEDED

Assembly from Step 1

280-10 LiteBox Tube - **48** decal (3 required)

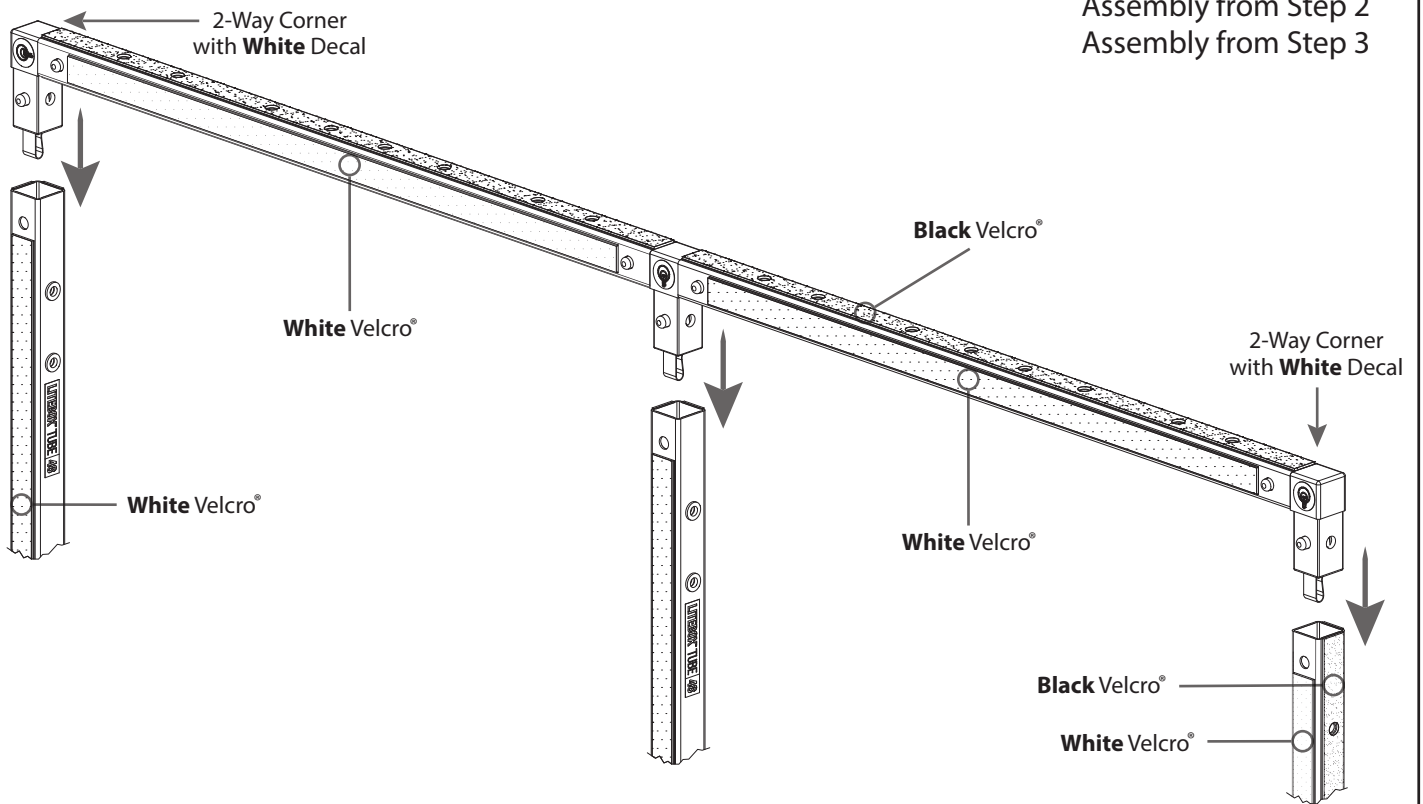


## ASSEMBLY - STEP 4

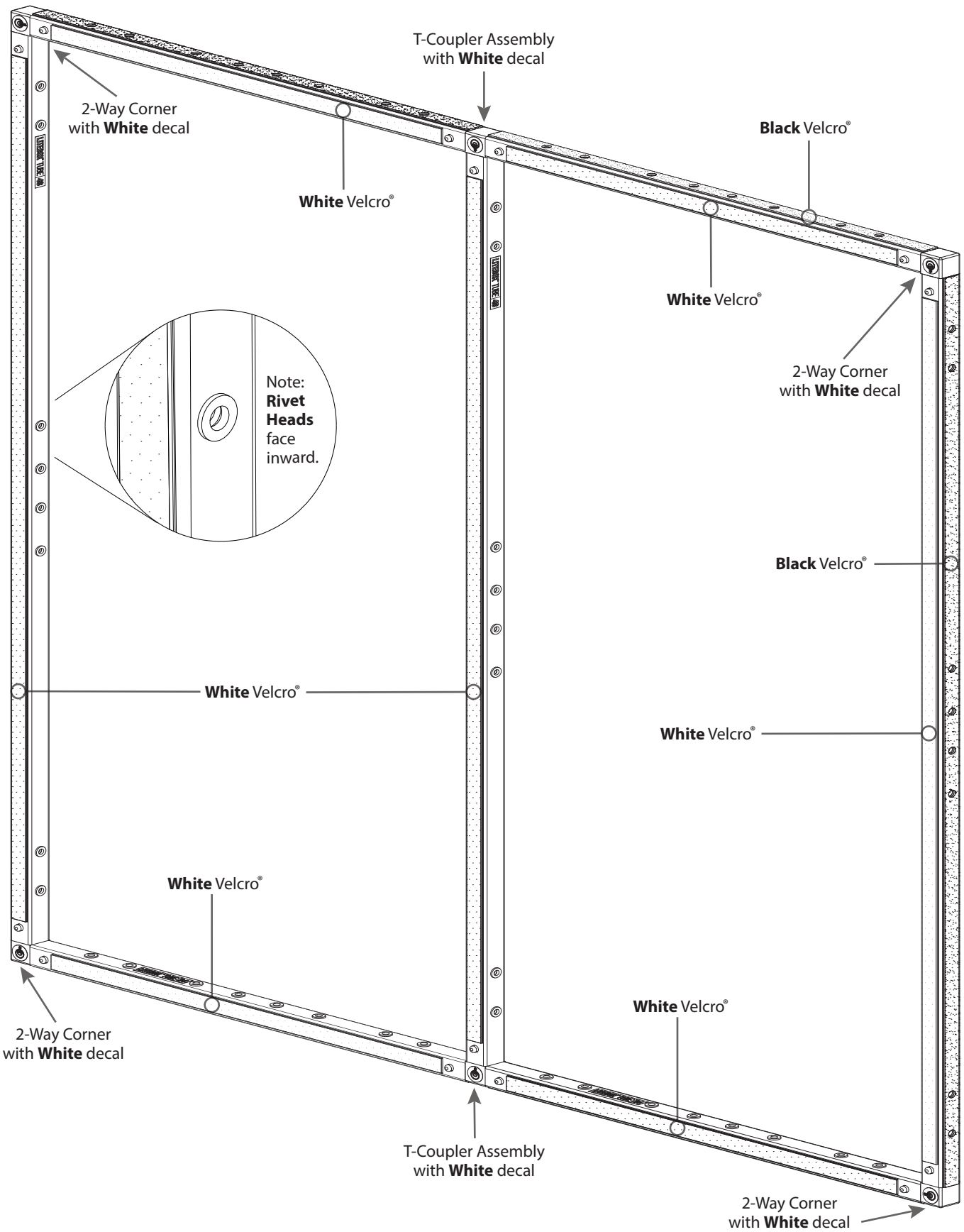
### ITEMS NEEDED

Assembly from Step 2

Assembly from Step 3



# ASSEMBLY - COMPLETE





**LITEGEAR, INC.**

Tel: +1 818 358-8542 • Email: [support@litegear.com](mailto:support@litegear.com) • Web: [litegear.com](http://litegear.com)

© 2017 LITEGEAR, INC. All rights reserved. LiteRibbon® and FauxFlo® are registered trademarks of LiteGear, Inc.  
© 2017 LITEGEAR, INC. All rights reserved. LiteGear™, LiteMat™, LiteDimmer™, LiteStix™, E-Control™, Hybrid™, Chroma™, Chroma-Correct™, LiteTile™, LiteBox™, LiteCloth™, CineHue™, CineMitter™, Cine Chroma™, Cine Series™, Studio Series™, Cine Hybrid™, Studio Hybrid™, FauxRes™, LiteEngine™, LiteNet™, LitePower™, LiteTenna™, QuickLinx™, TrueHybrid™, Vibrant Colors, Beautifully Saturated™, SkyMat™, Stardust™, and MapLite™ are trademarks of LiteGear, Inc.  
VELCRO® is a registered trademark of Velcro BVBA