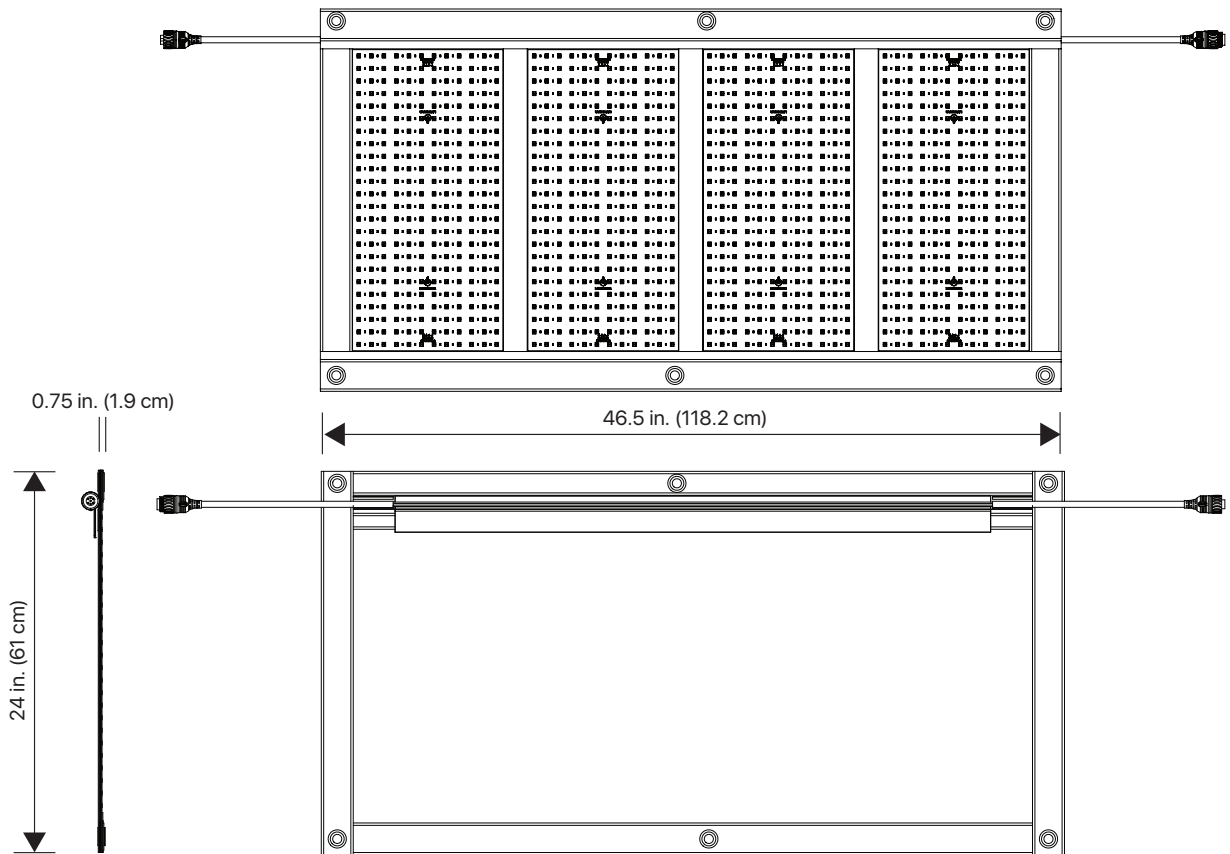


## MODEL - LITETILE<sup>+</sup> PLUS 4 (FOUR), CINEMA/TELEVISION LED LIGHTING SYSTEM

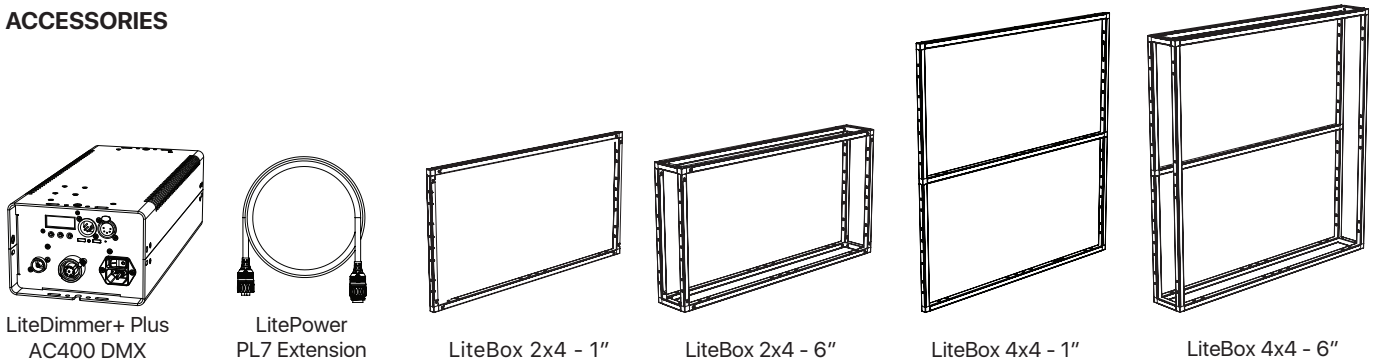
**LITETILE<sup>+</sup> PLUS 4** is a blend of LiteMat<sup>™</sup> LED engines in an engineered textile housing. This unique form factor allows the user to install thin, soft, Hybrid light into previously unavailable areas. The LiteTile uses the new CineMitter<sup>™</sup> LED which has 95+ CRI and an extended Kelvin range that provides cinema-quality white light with CCT from 2600K to 6200K. Each individual LiteTile is finished with hook and loop Velcro<sup>®</sup> and can attach, or “tile,” together to form any number of shapes and sizes.

### PARTS & ACCESSORIES

LiteTile+ Plus 4:	LT-PLUS-FOUR-HY-TILE
LiteDimmer+ <sup>™</sup> Plus:	LD-PLUS-AC400-DMX
LitePower <sup>™</sup> Extensions 6':	CA-PL7-EXT-6
12':	CA-PL7-EXT-12
24':	CA-PL7-EXT-24
LiteBox <sup>™</sup> :	See LiteBox data sheet for more information.



### ACCESSORIES



## MECHANICAL AND ELECTRICAL SPECIFICATIONS (IMPERIAL/METRIC)

Height		Width		Depth		Weight		Voltage (VDC)	Current (Amps)	Power (Watts)	LED Qty
(in.)	(cm)	(in.)	(cm)	(in.)	(cm)	(lb)	(kg)				
24	61	46.5	118.2	0.75	1.9	4.4	2.0	24	8.33	200	2304

## PHOTOMETRIC SPECIFICATIONS (IMPERIAL/METRIC)

CCT	CRI	TLCI	Lumens	fc @ 72 in.	fc @ 96 in.	fc @ 120 in.	fc @ 144 in.	fc @ 168 in.	fc @ 192 in.	fc @ 216 in.	fc @ 240 in.
2600~6200	95+	95+	10192	167	94	61	42	31	24	19	15

CCT	CRI	TLCI	Lumens	Lux @ 183 cm	Lux @ 244 cm	Lux @ 305 cm	Lux @ 366 cm	Lux @ 427 cm	Lux @ 488 cm	Lux @ 549 cm	Lux @ 610 cm
2600~6200	95+	95+	10192	1796	1010	647	449	330	253	200	162

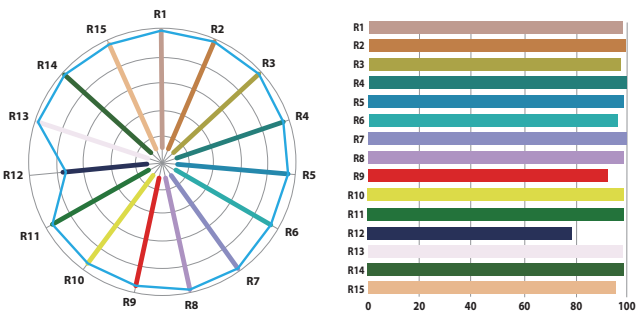
Measurements obtained using a LiteTile+ Plus 4 in vertical and horizontal positions connected to a LiteDimmer+ Plus AC400 DMX at full brightness under lab conditions.

## BEAM SPREAD (IMPERIAL/METRIC)

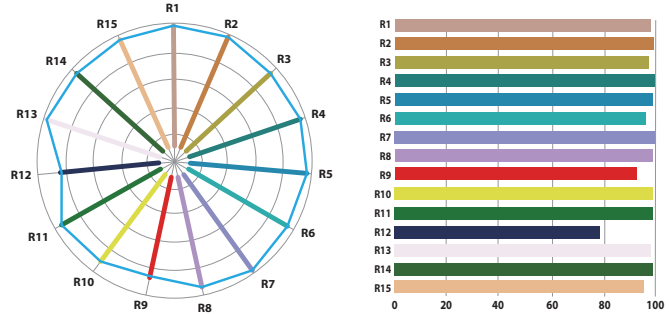
Beam Size H x W (in.)	213 x 211	285 x 282	356 x 352	427 x 423	498 x 493	569 x 564	640 x 634	712 x 705
Distance (in.)	72	96	120	144	168	192	216	240
Beam Size H x W (cm)	542 x 537	723 x 716	904 x 895	1085 x 1074	1265 x 1253	1446 x 1433	1627 x 1612	1808 x 1791
Distance (cm)	183	244	305	366	427	488	549	610

Measurements obtained using a LiteTile+ Plus 4 in vertical and horizontal positions connected to a LiteDimmer+ Plus AC400 DMX at full brightness under lab conditions.

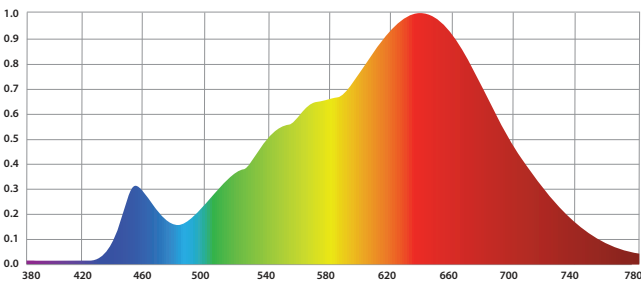
## TUNGSTEN COLOR RENDERING INDEX



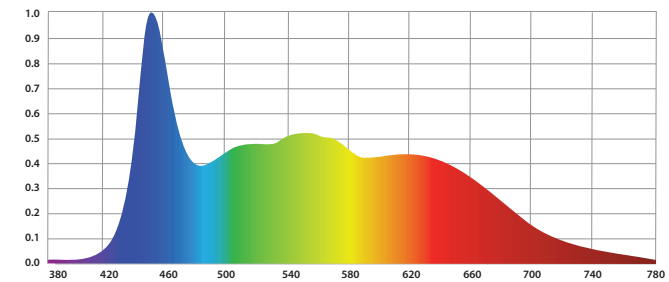
## DAYLITE COLOR RENDERING INDEX



## TUNGSTEN SPECTRAL GRAPH



## DAYLITE SPECTRAL GRAPH



### LITEGEAR, INC.

Hours: Monday-Friday 8AM-4:30PM (PST)  
 Tel: +1 818 358-8542 SMS: +1 818 495-0600  
 Email: info@litegear.com or support@litegear.com  
 Web: www.litegear.com



© 2017 LITEGEAR, INC. All rights reserved. LiteRibbon® and FauxFlo® are registered trademarks of LiteGear, Inc.  
 © 2017 LITEGEAR, INC. All rights reserved. LiteGear™, LiteMat™, LiteDimmer™, LitePower™, LiteStix™, LiteNet™, LiteBox™, LiteTile™, E-Control™, FauxRes™, Chroma Correct™, CineMitter™, and Vibrant Colors. Beautifully Saturated.™ are trademarks of LiteGear, Inc.  
 VELCRO® is a registered trademark of Velcro BVBA